

BALDOR® • RELIANCE 

Product Information Packet

JL3514A

1.5HP, 1725RPM, 1PH, 60HZ, 56J, 3532LC, TEFC

Part Detail							
Revision:	AB	Status:	PRD/A	Change #:		Proprietary:	No
Type:	AC	Elec. Spec:	35WGW159	CD Diagram:	CD0098A02	Mfg Plant:	
Mech. Spec:	35F974	Layout:	35LYF974	Poles:	04	Created Date:	
Base:	N	Eff. Date:	03-02-2018	Leads:	4#16 A&J,1#14 #4TH		Y

Specs			
Catalog Number:	JL3514A	Insulation Class:	F
Enclosure:	TEFC	Inverter Code:	Not Inverter
Frame:	56J	KVA Code:	J
Frame Material:	Steel	Lifting Lugs:	No Lifting Lugs
Output @ Frequency:	1.500 HP @ 60 HZ	Locked Bearing Indicator:	Locked Bearing
Synchronous Speed @ Frequency:	1800 RPM @ 60 HZ	Motor Lead Quantity/Wire Size:	4 @ 16 AWG, A&J
Voltage @ Frequency:	230.0 V @ 60 HZ	Motor Lead Exit:	Ko Box
	115.0 V @ 60 HZ	Motor Lead Termination:	Flying Leads
XP Class and Group:	None	Motor Type:	3532LC
XP Division:	Not Applicable	Mounting Arrangement:	F1
Agency Approvals:	CSA	Power Factor:	80
	UR	Product Family:	General Purpose
Auxillary Box:	No Auxillary Box	Pulley End Bearing Type:	Ball
Auxillary Box Lead Termination:	None	Pulley Face Code:	C-Face
Base Indicator:	No Mounting	Pulley Shaft Indicator:	Ext Thread
Bearing Grease Type:	Polyrex EM (-20F +300F)	Rodent Screen:	None
Blower:	None	Shaft Extension Location:	Pulley End
Current @ Voltage:	16.000 A @ 115.0 V	Shaft Ground Indicator:	No Shaft Grounding

Product Information Packet: JL3514A - 1.5HP,1725RPM,1PH,60HZ,56J,3532LC,TEFC

	7.800 A @ 208.0 V	Shaft Rotation:	Fixed Opposite Standard
	8.000 A @ 230.0 V	Shaft Slinger Indicator:	No Slinger
Design Code:	L	Speed Code:	Single Speed
Drip Cover:	No Drip Cover	Motor Standards:	NEMA
Duty Rating:	CONT	Starting Method:	Direct on line
Electrically Isolated Bearing:	Not Electrically Isolated	Thermal Device - Bearing:	None
Feedback Device:	NO FEEDBACK	Thermal Device - Winding:	Do Not Use Eve-Not Valiid
Front Face Code:	Standard	Vibration Sensor Indicator:	No Vibration Sensor
Front Shaft Indicator:	None	Winding Thermal 1:	Automatic Thermal Overload
Heater Indicator:	No Heater	Winding Thermal 1 Location:	SB
		Winding Thermal 2:	None

Nameplate NP1257L	
CAT.NO.	JL3514A
SPEC.	35F974W159
HP	1.5
VOLTS	115/230
AMP	16/8
RPM	1725
FRAME	56J
HZ	60
PH	1
SER.F.	1.00
CODE	J
DES	L
CL	F
NEMA-NOM-EFF	75.5
PF	80
RATING	40C AMB-CONT
CC	USABLE AT 208V 7.8
DE	6205
ODE	6203
ENCL	TEFC
SN	

Parts List		
Part Number	Description	Quantity
SA024973	SA 35F974W159	1.000 EA
RA021023	RA 35F974W159	1.000 EA
OC3015F12SP	CYL OIL CAP 15MFD/370V	1.000 EA
EC1645A06SP	ELEC CAP, 645-774 MFD, 125V, 2.06D X 4.	1.000 EA
TP5059	GENERIC THERMAL KIT	1.000 EA
NS2512A01	INSULATOR, CONDUIT BOX X	1.000 EA
35CB3000SP	CONDUIT BOX, CAST, W/.88 DIA. LEAD HOLE	1.000 EA
36GS1000SP	GASKET-CONDUIT BOX, .06 THICK #SV-330 LE	1.000 EA
51XB1016A07	10-16 X 7/16 HXWSSLD SERTYB	2.000 EA
11XW1032G06	10-32 X .38, TAPTITE II, HEX WSHR SLTD U	1.000 EA
35EP3122K00	MASTER ODE,203 BRG,.683SH,#26 DRN,FH MTG	1.000 EA
51XW0832A07	8-32 X .44, TAPTITE II, HEX WSHR SLTD SE	2.000 EA
85XU0407S04	4X1/4 U DRIVE PIN STAINLESS	2.000 EA
NS2501A02	INSULATOR, CAPACITOR BOX	1.000 EA
35CB3801	CAPACITOR COVER, CAST	1.000 EA
34GS3002	GASKET, CAPACITOR BOX	1.000 EA
HA7010	CAPACITOR RETENTION CLAMP	1.000 EA
51XB1016A08	10-16X 1/2HXWSSLD SERTYB	2.000 EA
HW5100A03	WAVY WASHER (W1543-017)	1.000 EA
35EP3307F00	MASTER DE,205 BRG,.998SH,#26 DRN	1.000 EA
51XN1032A20	10-32 X 1 1/4 HX WS SL SR	2.000 EA
51XB1214A16	12-14X1.00 HXWSSLD SERTYB	1.000 EA
35FH4005A55	IEC FH NO GR SR,3 MTG HOLE NO DIMPLES,	1.000 EA
51XW1032A06	10-32 X .38, TAPTITE II, HEX WSHR SLTD S	3.000 EA

Parts List (continued)		
Part Number	Description	Quantity
WD4100A10	465 NIAGARA PLUG (SO ELEC),FOR 1.093 DIA	1.000 EA
35CB4514GX	CONDUIT BOX LID KIT	1.000 EA
51XW0832A07	8-32 X .44, TAPTITE II, HEX WSHR SLTD SE	4.000 EA
MJ1000A02	GREASE, MOBIL POLYREX EM - 124047	0.050 LB
35FN3002A05SP	EXFN, PLASTIC, 6.376 OD, .638 ID	1.000 EA
MG1000G27	MED CHARCOAL METALLIC GREY 400-0096	0.017 GA
SP5055A32	MODEL 35 TYPE LC STATIONARY SWITCH WITH	1.000 EA
WD1000A15	3-520132-2 AMP FLAG (4M/RL NON-CANC/NON-	4.000 EA
HA3100A18	THRUBOLT 10-32 X 9.250	4.000 EA
LB1118	LABEL,WARNING (ROLL LABEL)	1.000 EA
LC0031	CONNECTION LABEL	1.000 EA
NP1257L	ALUM UL CSA CC THERMAL REV MTG	1.000 EA
PK3082	STYROFOAM CRADLE	1.000 EA
36PA1000	PKG GRP, PRINT PK1016A06	1.000 EA
MN416A01	TAG-INSTAL-MAINT no wire (1200/bx) 3/19	1.000 EA
FE-0000001	ZRTG FE ASSEMBLY	1.000 EA
PE-0000001	ZRTG PE ASSEMBLY	1.000 EA

AC Induction Motor Performance Data

Record # 61265 - Typical performance - not guaranteed values

Winding: 35WGW159-R008	Type: 3532LC	Enclosure: TEFC
-------------------------------	---------------------	------------------------

Nameplate Data				230 V, 60 Hz: High Voltage Connection	
Rated Output (HP)	1.5			Full Load Torque	4.5 LB-FT
Volts	115/230			Start Configuration	direct on line
Full Load Amps	16/8			Breakdown Torque	14.5 LB-FT
R.P.M.	1725			Pull-up Torque	11.5 LB-FT
Hz	60	Phase	1	Locked-rotor Torque	15 LB-FT
NEMA Design Code	L	KVA Code	J	Starting Current	57 A
Service Factor (S.F.)	1			No-load Current	5.2 A
NEMA Nom. Eff.	75.5	Power Factor	80	Line-line Res. @ 25°C	1.41 Ω A Ph 1.18 Ω B Ph
Rating - Duty	40C AMB-CONT			Temp. Rise @ Rated Load	76°C

Load Characteristics 230 V, 60 Hz, 1.5 HP

% of Rated Load	25	50	75	100	125	150
Power Factor	42	59	72	80	85	88
Efficiency	59.1	71.6	76.1	76.6	75.7	73.4
Speed	1784	1773	1759	1743	1726	1706
Line amperes	5.3	5.9	6.7	7.9	9.4	11

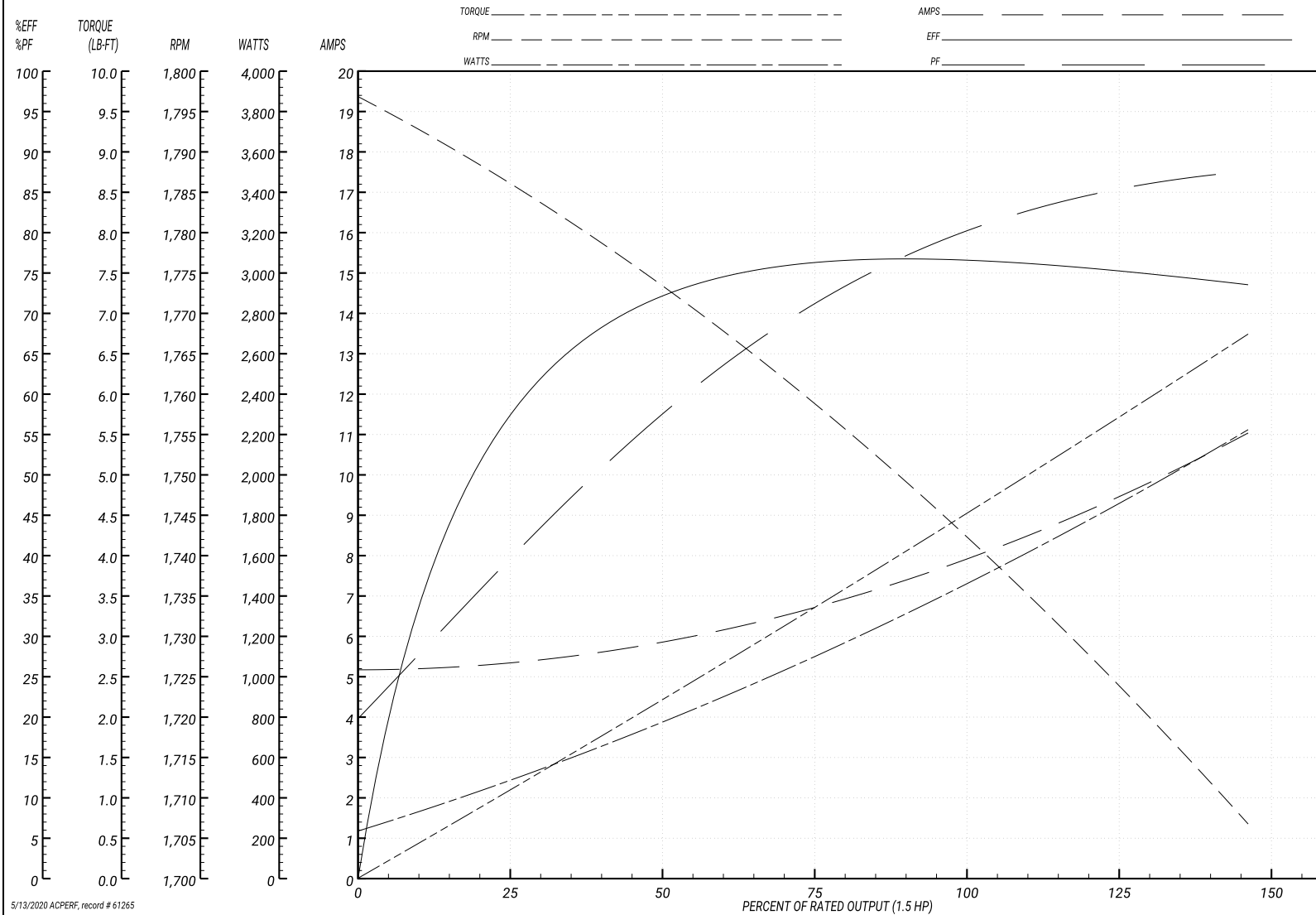
Performance Graph at 230V, 60Hz, 1.5HP Typical performance - Not guaranteed values

ABB Motors and Mechanical Inc.

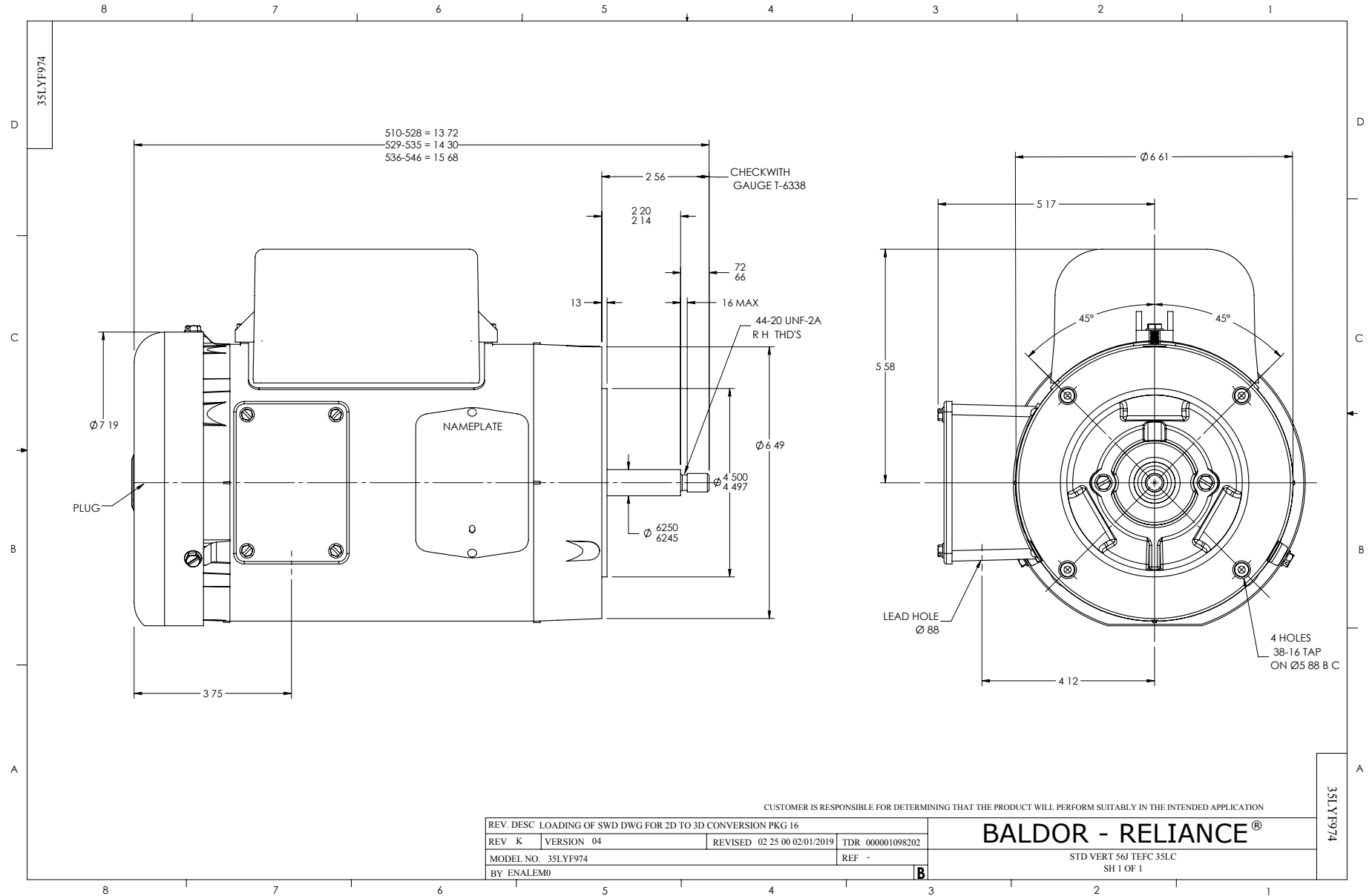
WINDING # 35WGW159

Typical performance - not guaranteed values.

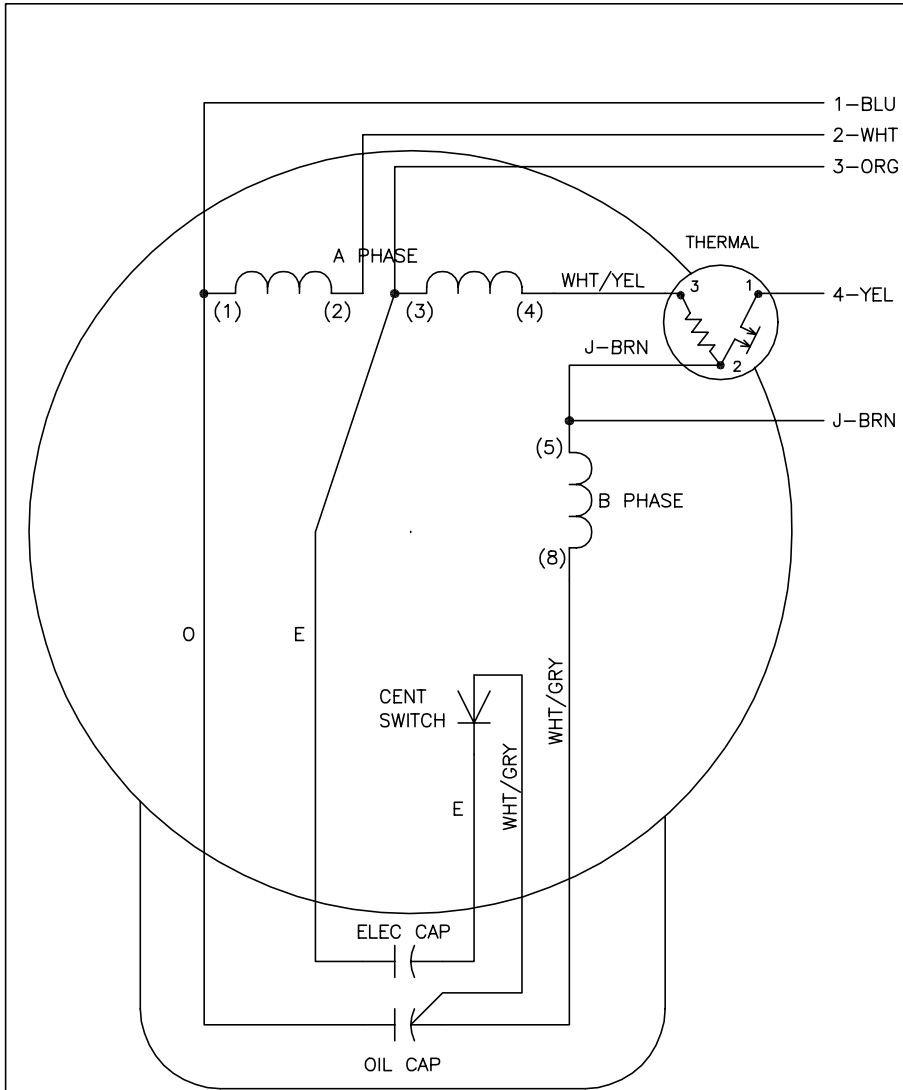
1.5 HP 1 PH 60 HZ 1725 RPM 230 V 3532LC
 TORQUES(LB-FT): PO=14.5 PU=11.5 LR=15 LRA=57



5/13/2020 ACPERF, record # 61265



CD0098A02



	LINE A	LINE B	JOIN	JOIN
HIGH	1	4	2,3	J
LOW	1,3	4	2,J	-

NOTES:

1. CONNECTIONS ARE SHOWN FOR CCW ROTATION FACING END OPPOSITE SHAFT EXTENSION (STD). FOR CW ROTATION, INTERCHANGE 5 AND 8 INTERNALLY.
2. MULTIPLE CAPACITORS ARE CONNECTED IN PARALLEL UNLESS OTHERWISE SPECIFIED.
3. LEAD COLORS ARE OPTIONAL. LEADS MUST ALWAYS BE NUMBERED AS SHOWN.

REV. DESC: REMOVE OPTIONAL THERMAL CONNECTION			
REV. LTR: E	VERSION: 01	TDR: 000000373039	
Z0V860003 CD0098A02	FILE: \AAA\00007\479	REVISED: 11:21:31 08/11/2005	
	MTL: -	BY: ENJOEPO	

BALDOR ELECTRIC Co.

TYPE LC, DV, FIX, OIL CAP ACROSS LINE, THERMAL, 5 LEADS

CD0098A02